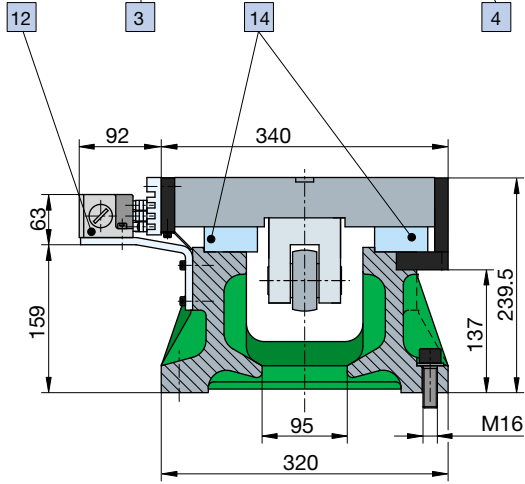
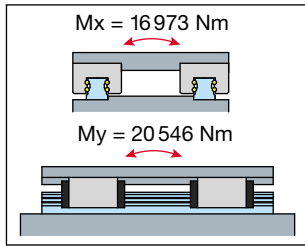
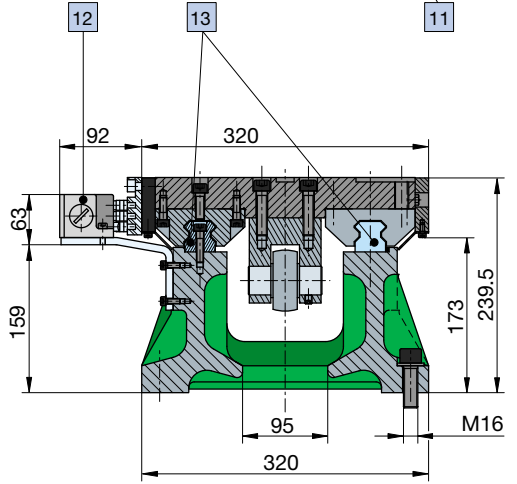


Stroke	
	400      630
<b>A</b>	420      650
<b>B</b>	550      780
<b>C</b>	215      445
<b>D</b>	880      1110
<b>E</b>	4          5
	UA 6 DH-41    UA 6 DH-61
	UA 6 GH-41    UA 6 GH-61



**UA 6 GH**



**UA 6 DH**

- Slide units type **UA 6** are high-performance, heavy-duty feed components; a suitable machining unit is a **MAX 200 B**, section 3.
- Slides are available in 3x2 versions: stroke 400 and 630 mm, prismatic guideways (GH) or roller bearing carriages (DH), hydraulic or CNC stroke, section 5.
- **Options:** Cam rail limit switch box up to 8 rails, front protection by telescopic cover, hydraulic guideway clamping (UA 6 GH).
- **Order reference** for hydraulic slide unit:  
**UA 6 DH 41:** with roller bearing carriages, stroke 400 mm.  
**UA 6 DH 61:** with roller bearing carriages, stroke 630 mm.  
**UA 6 GH 41:** with prismatic guideways, stroke 400 mm.  
**UA 6 GH 61:** with prismatic guideways, stroke 630 mm.

Technical Data	
Total stroke	400 / 630 mm
Hydraulic cylinder	dia. 80, rod dia. 36 mm
Thrust pushing at 50 bar	25 000 N
Thrust pulling at 50 bar	20 000 N
Feed rate (DH)	max. 20 m/min
Feed rate (GH)	max. 15 m/min
Max. pressure	80 bar
Flow rate at max. feed rate (DH)	101 l/min
Flow rate at max. feed rate (GH)	75 l/min
Hydraulic connection	G 3/8"
Drilling capacity	dia. 60 / 600 N/mm <sup>2</sup>
Color	RAL 6018
Weight (stroke 400)	250 kg
Weight (stroke 630)	300 kg

Features	
<b>1</b>	Adjustable stop at the front, 2 mm/rev.
<b>2</b>	Linear rail: type DH; or prismatic: Typ GH
<b>3</b>	Chip evacuation opening
<b>4</b>	Slide in steel, for adaptation to MAX 200 B
<b>5</b>	Grease nipples located on both sides
<b>6</b>	Strongly ribbed base made of hardened cast iron
<b>7</b>	Adjustable stop in the rear, 1 mm/rev.
<b>8</b>	Integrated hydraulic cylinder
<b>9</b>	Hydraulic return port
<b>10</b>	Hydraulic stocked port
<b>11</b>	Protection cover in steel
<b>12</b>	3-cam action switch, opt. mount. both sides
<b>13</b>	Double roller bearing carriages (UA 6 DH)
<b>14</b>	Prismatic guideways, 60 HRC (UA 6 GH)