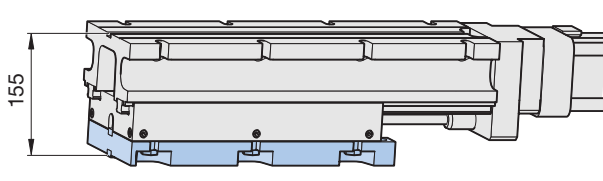
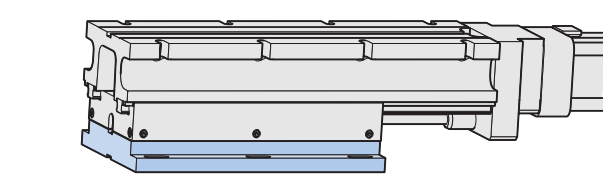
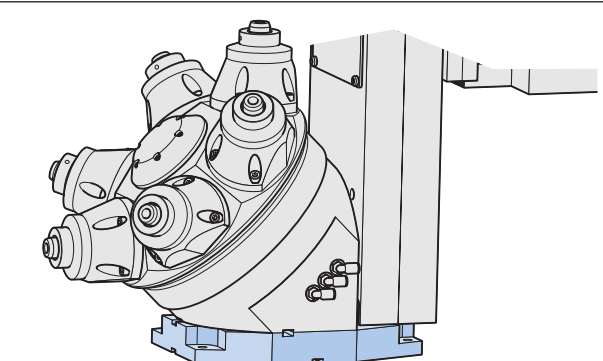
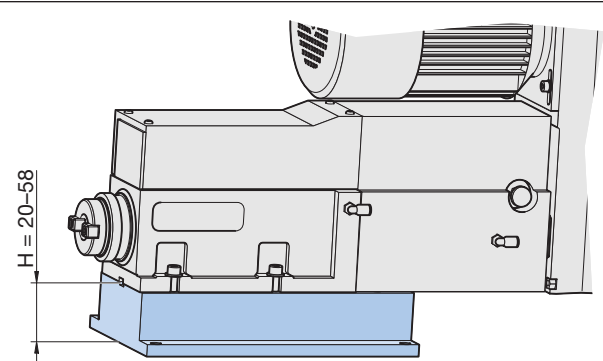
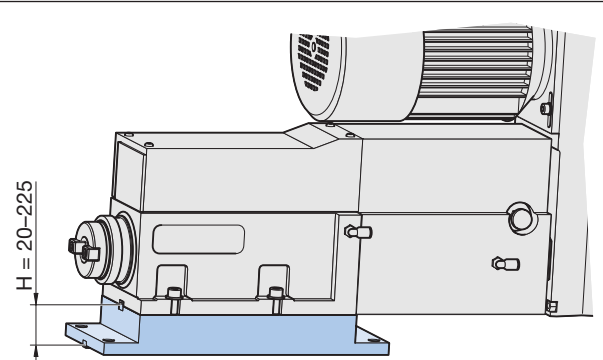


Suitable for:	Base plate and support assembly with machining units	Type	Description	Weight
UA 3-160 UA 3-320 UA 3 CN		PB UA 3-00	Base plate	11 kg
UA 3-160 UA 3-320 UA 3 CN		PB UA 3-01	Base plate	15 kg
ETR 36		PB 36	Base plate	— kg
MAX 20 F MAX 25 FH MAX 20 TE MAX 20 CN	 H = 20-58	SHC 20	Support	— kg
MAX 20 F MAX 25 FH MAX 20 TE MAX 20 CN	 H = 20-225	SHL	Support	— kg